

DIY Habitat Tripod

#waterfoodshelter

Small birds like Fairy-wrens *Malurus sp.* and Red-browed Finch *Neochmia temporalis* need places to feed and breed where they are safe from larger birds and cats.

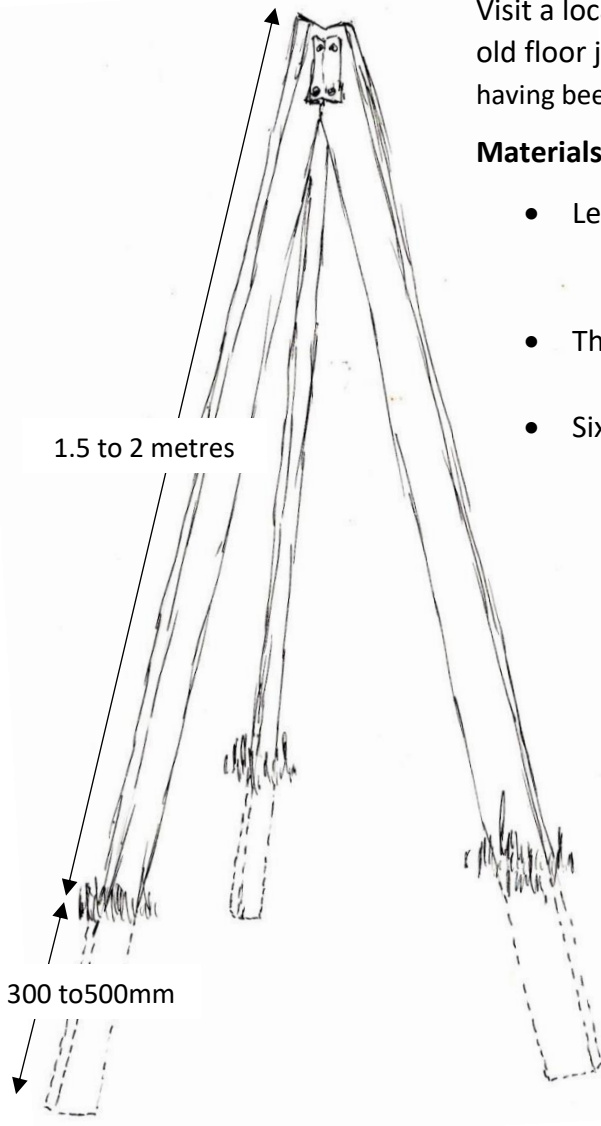
Fairy-wrens feed on insects on the ground or in small bushes. A small dome-shaped nest is well-hidden and placed close to the ground, often in grass tussocks.

Red-browed Finches feed on insects and seeds on the ground. A relatively large dome-shaped nest made of twigs and grass stems and placed 1 to 2 metres above ground in a dense shrub.

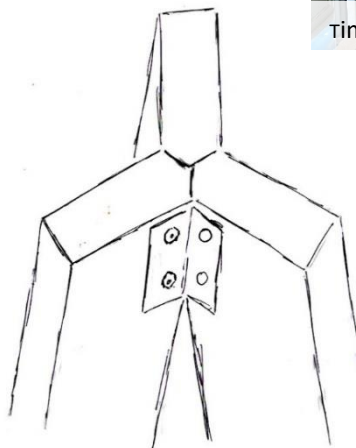
Visit a local house demolition yard for recycled untreated hardwood like old floor joists. Recycled timber is eco-friendly and excellent for outdoor use having been naturally seasoned over decades.

Materials:

- Legs
 - Size 50x75mm or 50x150mm
 - Length 2.5m (tall tripod) or 2m (short tripod)
- Three galvanised, aluminium or stainless steel brackets
 - Approx. 50x50x100mm
- Six galvanised bolts M10 x 60mm
 - Alternative is galvanised fencing wire



Timber rack Woolloongabba Demolitions



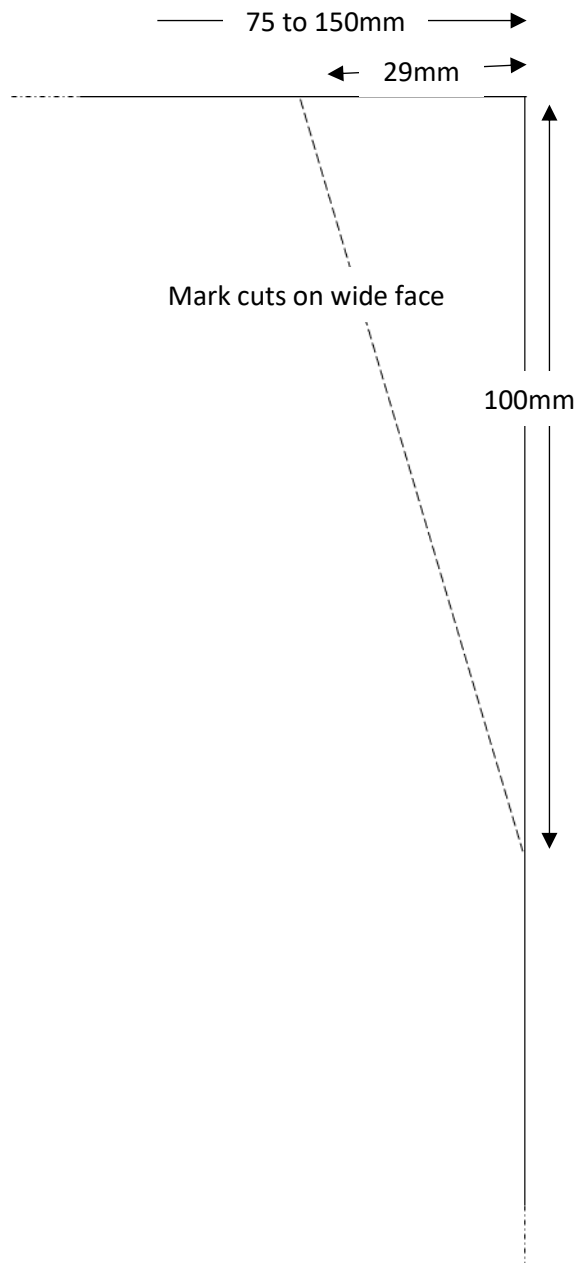
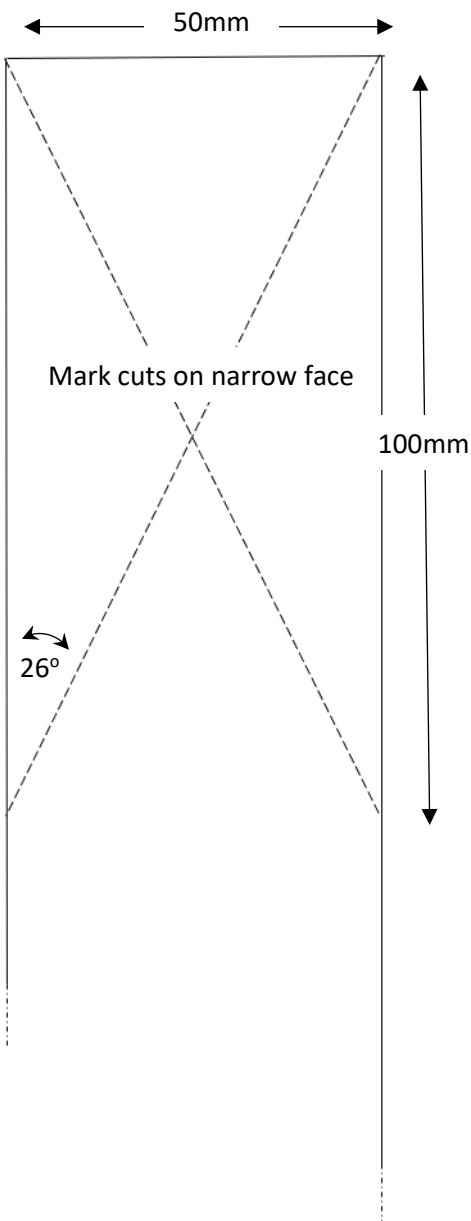
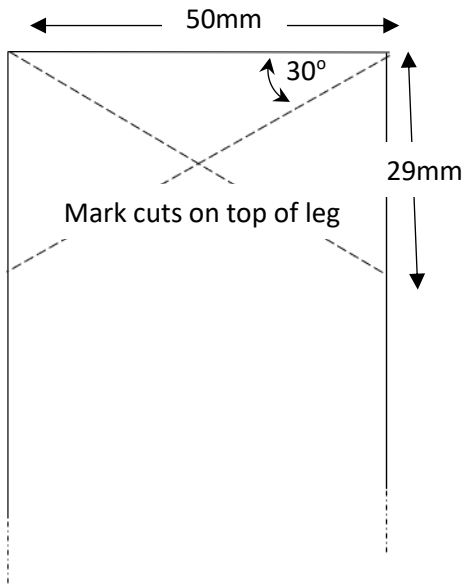
Tripod legs cut to mate together.

Join can be fixed with bolts or fencing wire.

Construction:

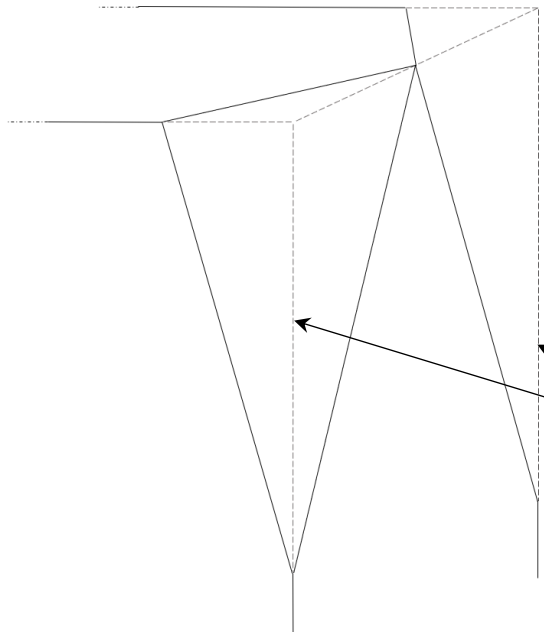
Step 1: Mark cuts

Mark cuts required for tripod legs to mate neatly and set the spread at the base of tripod.



Step 2: Use handsaw to cut angles

It is easiest to start cut at top of leg aligning saw with marked lines.



Remove corners

Step 3: Check fit of tripod legs

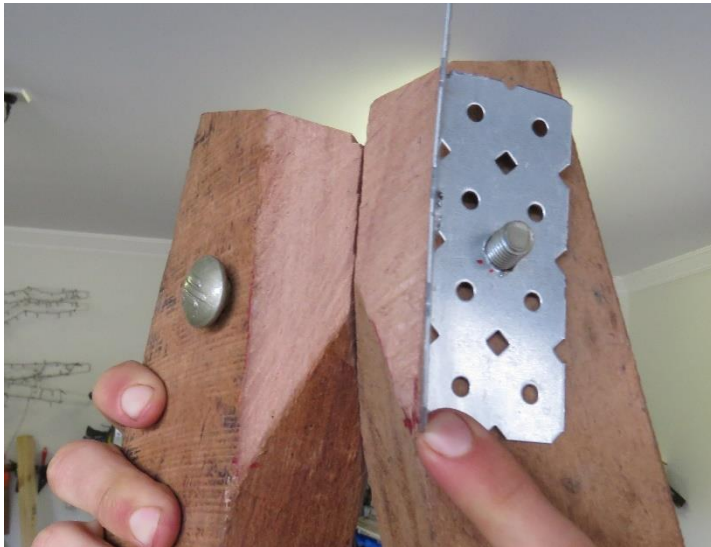
Once all legs are cut, check they mate together correctly.



Step 3: Fix join with bolts or fencing wire

This tripod is for a backyard installation and will be approximately 1.5m high so we used simple galvanised brackets from Bunnings cut to 100mm.

Note that brackets will need to be bent to approximately 120° to align with the legs.



Drill brackets to take bolts.

Drill and bolt bracket to first leg. Mark drill hole on second leg using bracket as guide. Drill and bolt second leg then repeat for third leg.

Step 4: Paint tripod legs

Disassemble tripod for painting with a non-toxic product like Lanotec Timber Seal or Linseed Oil. Pay particular attention to cut sections.

Step 5: Installation:

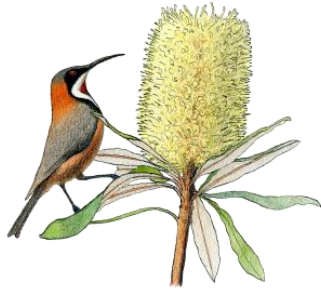
Install legs in holes 300 to 500mm deep and backfill with tamped down soil. Do not use concrete.



Step 5: Planting for Food and Shelter

Planting for:

- Food: A mix of nectar and insect attracting vines and wildflowers will feed birds like Eastern Spinebills and Fairy-wren. Native grasses will provide food for seed eating birds like Red-browed Finches and Pale-headed Rosellas.
- Shelter: Vines growing over tripod and shrubs filling the centre will create safe habitat for nesting.



Banksias provide a focus for your garden feature and attract Eastern Spinebills to feed on nectar.

Fairy-wrens nest low down in tangled shrubby habitat where they are safe and find insects for food.

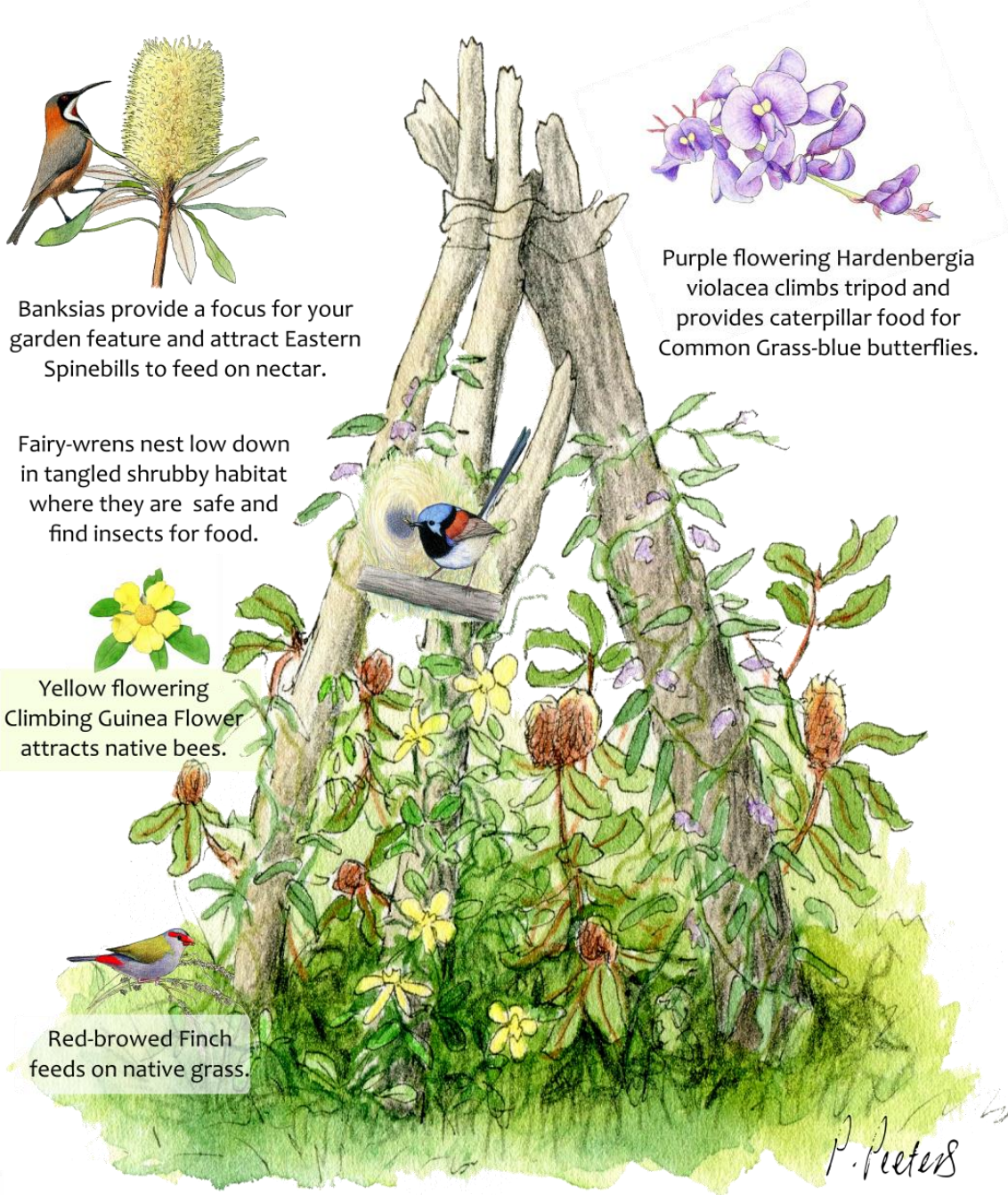


Yellow flowering Climbing Guinea Flower attracts native bees.

Red-browed Finch feeds on native grass.



Purple flowering Hardenbergia violacea climbs tripod and provides caterpillar food for Common Grass-blue butterflies.



Scan for more info

Illustrations: Michael Fox and Paula Peeters

DIY Habitat Tripod Guide design / preparation: Michael Fox and Jake Slinger

© Creative Commons

Free use with acknowledgement.

Pollinator Link® project is a not-for-profit social enterprise creating wildlife corridors in urban spaces.
www.pollinatorlink.org Proudly supported by the B4C Environment Fund.

